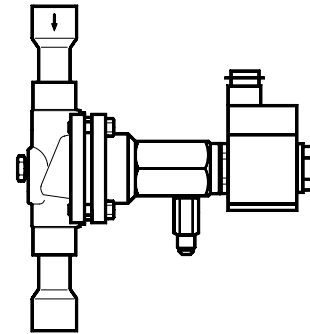
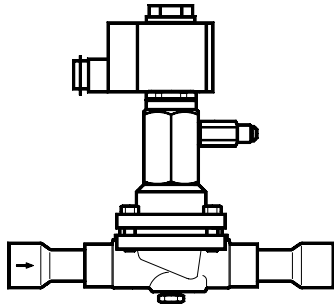
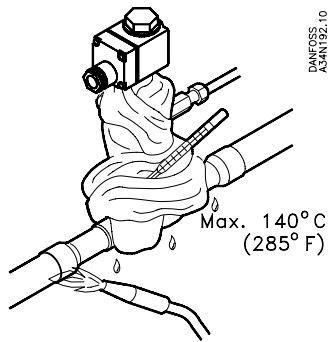


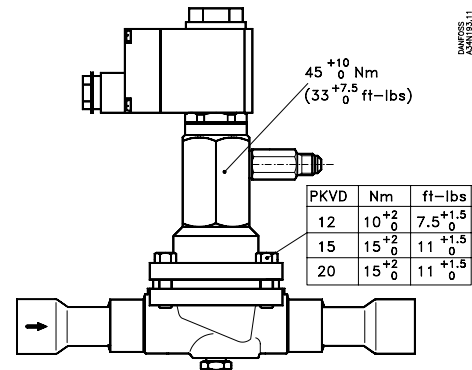
034R9504



034R9504



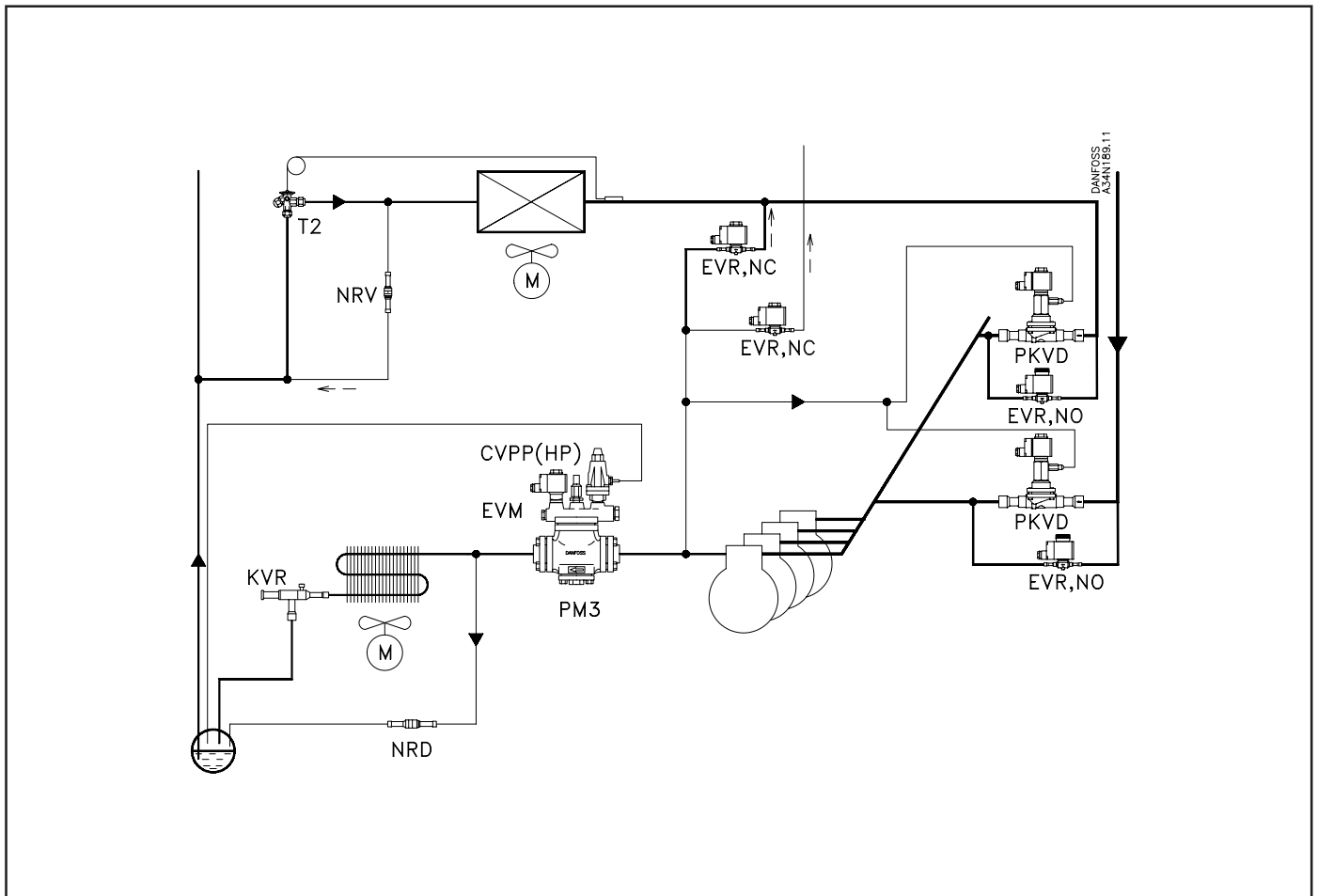
DANFOSS
AS4N192.10



DANFOSS
AS4N193.11

© Danfoss A/S

RI.3M.A1.00 12-1998



DANFOSS
AS4N188.11